

COMPONENTS

CloudCath Sensor



Video instruction

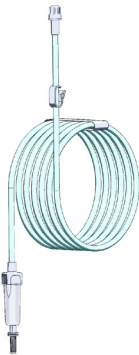


<https://www.cloudcath.com/training>

Visit us online to see a video tutorial on how to successfully setup your CloudCath System.

CloudCath Drain Set

(Single-Use Disposable 20 ft. Drain Line Extension)



CloudCath Drain Set -
Baxter Configuration



CloudCath Drain Set -
Fresenius Configuration

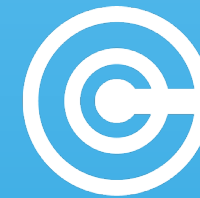
If you have questions, contact us at

(415) 484-4896

www.cloudcath.com

Version

00651-010622



Quickstart Guide

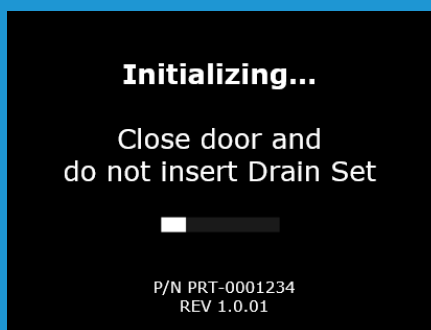
SET UP DEVICE

1



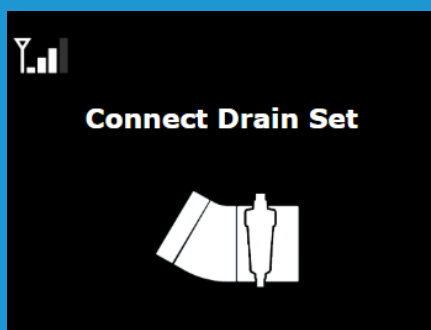
Plug in the CloudCath Sensor.

2



Allow 2-3 minutes for the CloudCath Sensor to complete "Initializing...". Do not open the door or connect/insert the drain set at this step.

3



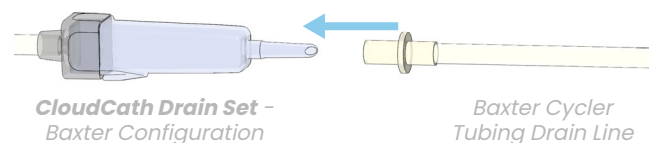
Once the device prompts to "Connect Drain Set", you are ready to connect your drain line to the CloudCath Drain Set.

DAILY USAGE INSTRUCTION

1

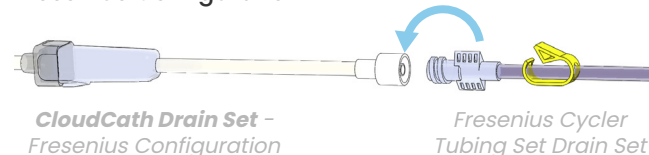
Completely remove the protective sleeve from the **CloudCath Drain Set** and connect the Baxter or Fresenius peritoneal dialysis cyclers tubing set drain line to the **CloudCath Drain Set**.

Baxter Configuration



*Note: For the **Baxter configuration**, push the drain line connector to the Inlet Connection Port until they are firmly seated. The drain line connector should be flushed with the shoulder of the Inlet Connection Port.*

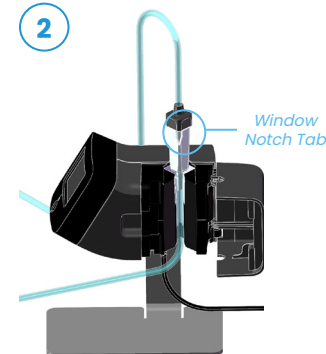
Fresenius Configuration



*Note: For the **Fresenius configuration**, rotate the connectors until secure.*

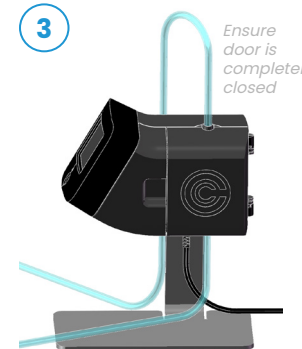
- Uncoil the peritoneal dialysis cyclers tubing set drain line to reduce the chance of introducing air bubbles.
- NEVER touch the Sensing Window. Hold the CloudCath Drain Set by the Sensing Window Cap to avoid damage to the Sensing Window.
- Remove the End Cap (cyclers end) from the Inlet Connection Port of the CloudCath Drain Set.
- Connect the drain line connector of the cyclers tubing set to the Inlet Connection Port of the CloudCath Drain Set.

2



Verify the Window Notch Tab is in the correct. Push the **CloudCath Drain Set** Sensing Window all the way down to fully seat the Sensing Window into the Sensing Area.

3



Once the **CloudCath Drain Set** is inserted properly, close the door.

4



To indicate successful setup, the screen will display, "Monitoring".

At this point, the CloudCath System is ready for use!